

**PLEASE CHECK WWW.MOLEX.COM FOR LATEST PART INFORMATION**

**Part Number:** **0465531000**  
**Status:** **Active**  
**Description:** 1.20mm (.047") x 2.00mm (.079") Pitch HD Mezz™ Receptacle, 104 Circuits, 18.00mm (.708") Unmated Height, 11 Rows, Selectively Filled, Tin (Sn)/Lead (Pb) Solder

**Documents:**

[3D Model](#) [Product Specification PS-45802-001 \(PDF\)](#)  
[Drawing \(PDF\)](#) [RoHS Certificate of Compliance \(PDF\)](#)

**General**

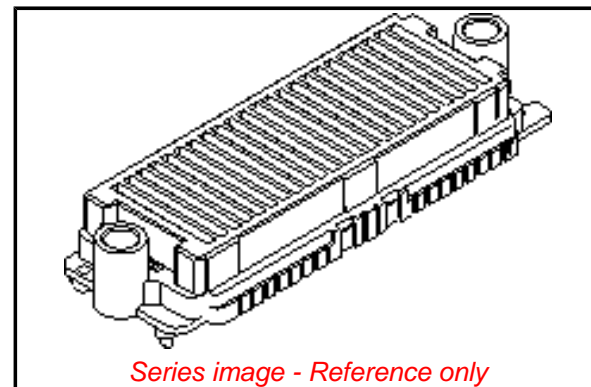
Product Family	PCB Receptacles
Series	46553
Application	Board-to-Board
Comments	1.20mm (.047") Pitch Pin-to-Pin and 2.00mm (.079") Pitch Row-to-Row
Product Name	Mezzanine

**Physical**

Circuits (Loaded)	104
Circuits (maximum)	104
Color - Resin	Black
Durability (mating cycles max)	100
Glow-Wire Compliant	No
Guide to Mating Part	No
Keying to Mating Part	None
Lock to Mating Part	Yes
Material - Metal	High Performance Alloy (HPA)
Material - Plating Mating	Gold
Material - Plating Termination	Tin
Material - Resin	High Temperature Thermoplastic
Number of Rows	11
Orientation	Vertical
PC Tail Length (in)	0.000 In
PC Tail Length (mm)	0.00 mm
PCB Locator	Yes
PCB Retention	Yes
PCB Thickness Recommended (in)	0.000 In
PCB Thickness Recommended (mm)	0.00 mm
Packaging Type	Tray
Pitch - Mating Interface (in)	0.079 In
Pitch - Mating Interface (mm)	2.00 mm
Pitch - Term. Interface (in)	0.079 In
Pitch - Term. Interface (mm)	2.00 mm
Plating min: Mating (µin)	30
Plating min: Mating (µm)	0.75
Plating min: Termination (µin)	100
Plating min: Termination (µm)	2.5
Polarized to Mating Part	Yes
Polarized to PCB	Yes
Robotic Placement	Vacuum Pick-Up Tape
Stackable	No
Surface Mount Compatible (SMC)	Yes
Temperature Range - Operating	-55°C to +105°C
Termination Interface: Style	Surface Mount

**Electrical**

Current - Maximum	2A
-------------------	----



*Series image - Reference only*

**EU RoHS**

**Not RoHS Compliant**  
**REACH SVHC**  
 Not Reviewed  
**Halogen-Free**  
**Status**  
**Not Reviewed**

**China RoHS**



**Need more information on product environmental compliance?**

Email [productcompliance@molex.com](mailto:productcompliance@molex.com)  
 Please visit the [Contact Us](#) section for any non-product compliance questions.

**Search Parts in this Series**  
 46553 Series

Grounding to PCB	No
Voltage - Maximum	250V AC

**Solder Process Data**

Duration at Max. Process Temperature (seconds)	20
Lead-free Process Capability	Reflow Capable (SMT only)
Max. Cycles at Max. Process Temperature	2
Process Temperature max. C	260
Replacement RoHS Compliant Part Number	0465531200

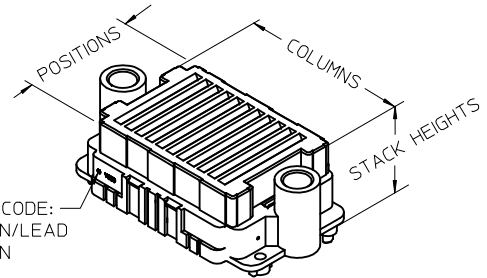
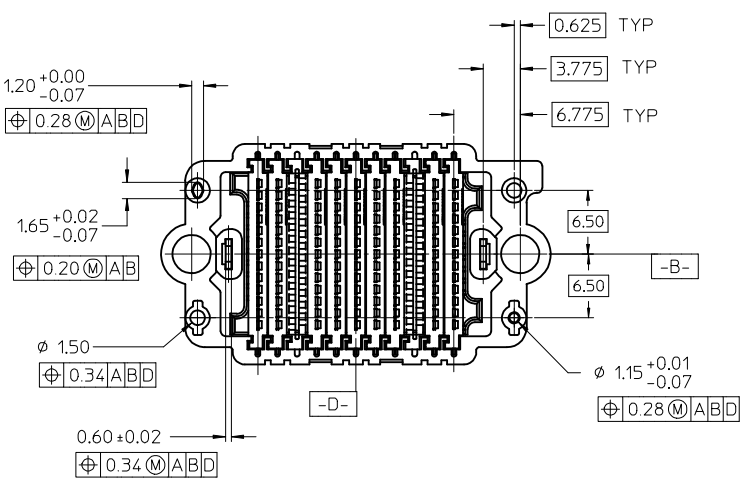
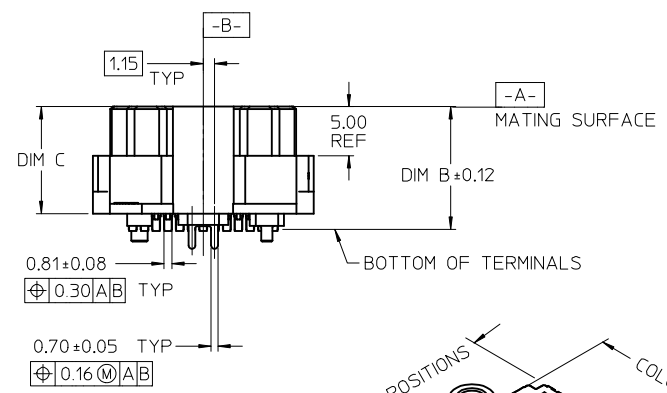
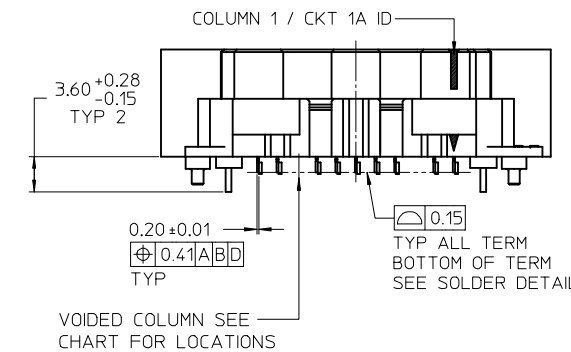
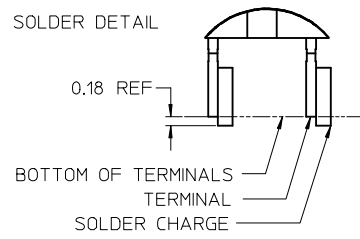
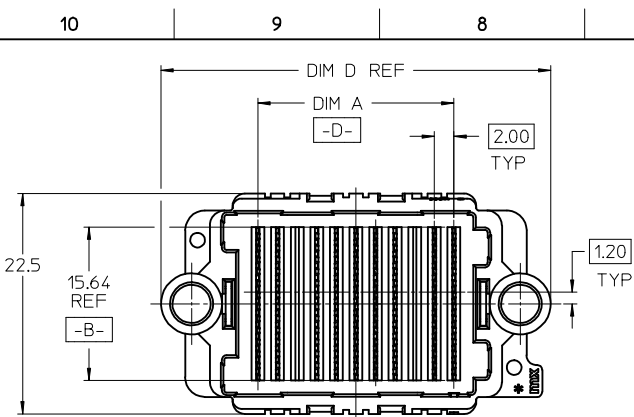
**Material Info**

**Reference - Drawing Numbers**

Product Specification	PS-45802-001
Sales Drawing	SD-46553-001

This document was generated on 11/20/2009

**PLEASE CHECK [WWW.MOLEX.COM](http://WWW.MOLEX.COM) FOR LATEST PART INFORMATION**



LEAD CODE:  
0 = TIN/LEAD  
2 = TIN

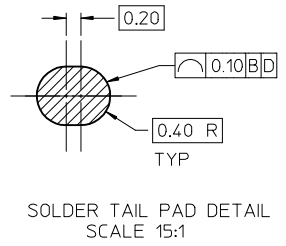
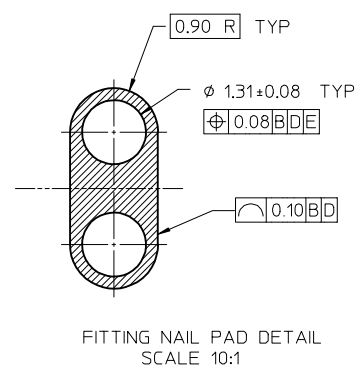
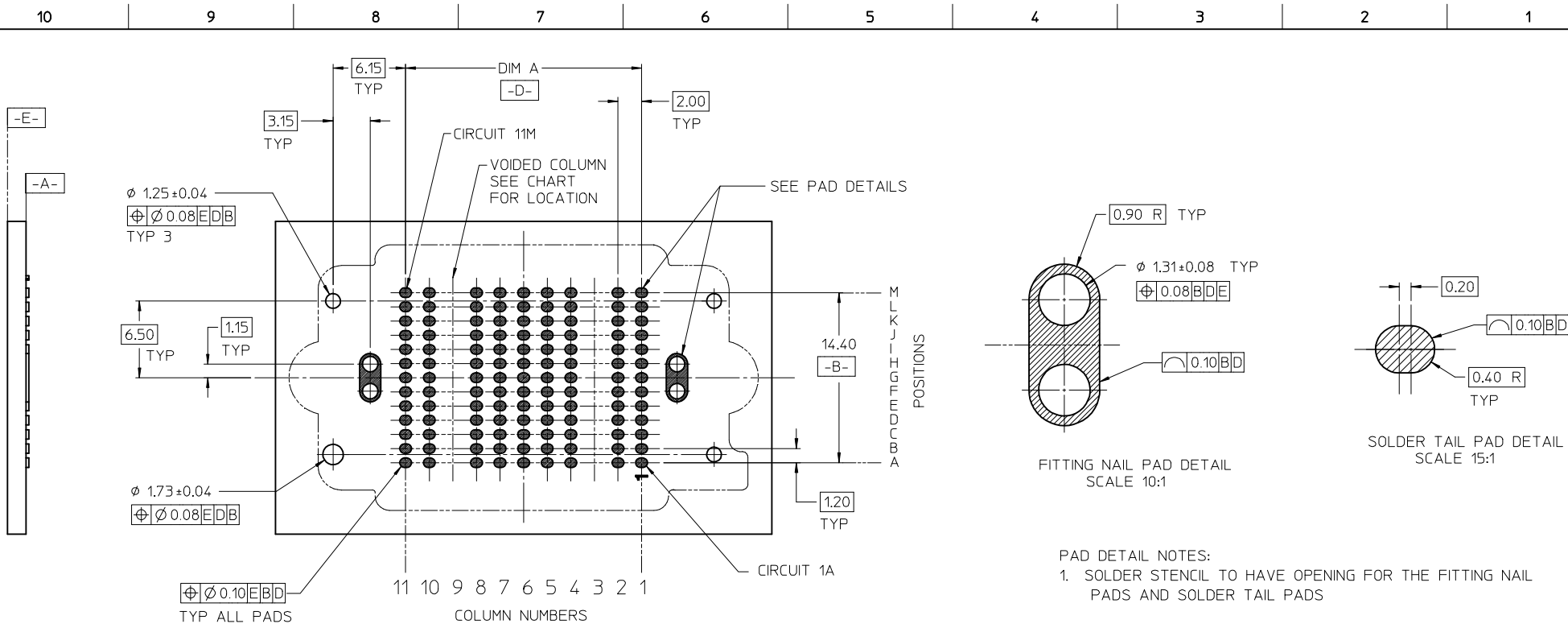
SEE SHEET 3 FOR COLUMN / POSITION NUMBERING SYSTEM

- NOTES:
- HOUSING MATERIAL: LCP, GLASS FILLED, UL 94V-0, BLACK  
CONTACT MATERIAL: HIGH PERFORMANCE ALLOY  
SOLDER NAIL MATL: STAINLESS STEEL  
SOLDER CHARGE MATL: SEE CHART
  - FINISH: SELECT GOLD 30 MI MIN IN CONTACT AREA  
SELECT TIN: 100 MI MIN IN PCB TAIL BOTH OVER NICKEL
  - PRODUCT SPECIFICATION: PS-45802-001
  - COSMETIC SPECIFICATION, PS-45499-002 CLASS B
  - PACKAGING SPECIFICATION: PK-45802-001
  - DATUM -D- IS THE CENTERLINE OF THE 2 END SLOTS. END SLOT CENTERLINES ARE ESTABLISHED USING 2 MEASUREMENTS FOR EACH SLOT TAKEN 7.20 EITHER SIDE OF DATUM -B-.

AVAILABLE STACK HEIGHTS		
STACK HEIGHT	DIM B	DIM C
8mm	10.51	8.90
9mm	11.51	9.90
10mm	12.51	10.90
11mm	13.51	11.90
12mm	14.51	12.90
13mm	15.51	13.90
14mm	16.51	14.90
15mm	17.51	15.90
17mm	19.51	17.90
18mm	20.51	18.90

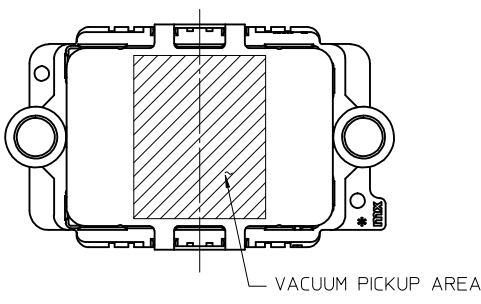
AVAILABLE COLUMNS		
NO OF COLUMNS	DIM A	DIM D
7	12.00	31.89
9	16.00	35.89
11	20.00	39.89
13	24.00	43.89
15	28.00	47.89
17	32.00	51.89
19	36.00	55.89
21	40.00	59.89
23	44.00	63.89
25	48.00	67.89
27	52.00	71.89

<b>ADD OPTIONS</b> EC NO: UCP2009-2695 DRWNR: RHODGE 2009/05/14 CHKD: 2009/05/15 APPR: JCOMERCI 2009/05/15	QUALITY SYMBOLS DESCRIPTION REV B1	GENERAL TOLERANCES (UNLESS SPECIFIED) mm INCH 4 PLACES ± --- ± --- 3 PLACES ± 0.10 ± --- 2 PLACES ± 0.15 ± --- 1 PLACE ± 0.25 ± --- ANGULAR ± 1/2°	DIMENSION STYLE <b>MM ONLY</b> DRAWN BY DATE RHODGE 2007/05/31 CHECKED BY DATE RHODGE 2007/11/13 APPROVED BY DATE JCOMERCI 2007/11/14 MATERIAL NO. SEE CHART	SCALE <b>2:1</b> DESIGN UNITS <b>METRIC</b> THIRD ANGLE PROJECTION	TITLE <b>HIGH DENSITY MEZZININE RECEPTACLE ASSEMBLY SELECTIVELY LOADED</b> <b>MOLEX INCORPORATED</b> DOCUMENT NO. <b>SD-46553-001</b> SHEET NO. <b>1 OF 3</b>
		DRAFT WHERE APPLICABLE MUST REMAIN WITHIN DIMENSIONS		THIS DRAWING CONTAINS INFORMATION THAT IS PROPRIETARY TO MOLEX INCORPORATED AND SHOULD NOT BE USED WITHOUT WRITTEN PERMISSION	



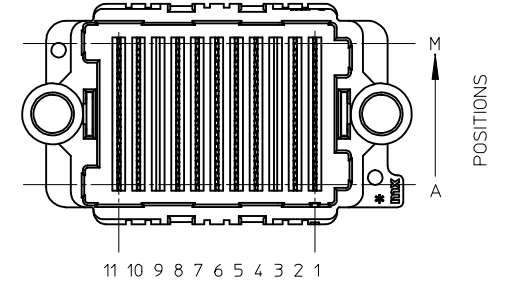
PAD DETAIL NOTES:  
 1. SOLDER STENCIL TO HAVE OPENING FOR THE FITTING NAIL PADS AND SOLDER TAIL PADS

RECOMMENDED PCB LAYOUT: COMPONENT SIDE  
 PCB THICKNESS: NA  
 (11 COLUMN PART SHOWN SEE CHART)



SEE SHEET 1 EC NO: UCP2009-2695 DRAWN: RHODGE 2009/05/14 CHKD: 2009/05/15 APPR: JCOMERCI 2009/05/15 REV B1	GENERAL TOLERANCES (UNLESS SPECIFIED)		DIMENSION STYLE MM ONLY		SCALE 3:1	DESIGN UNITS METRIC	THIRD ANGLE PROJECTION
		mm	INCH	DRAWN BY RHODGE	DATE 2007/05/31	HIGH DENSITY MEZZININE RECEPTACLE ASSEMBLY SELECTIVELY LOADED MOLEX INCORPORATED	
	4 PLACES	± ---	± ---	CHECKED BY RHODGE	DATE 2007/11/13		
	3 PLACES	± 0.10	± ---	APPROVED BY JCOMERCI	DATE 2007/11/14	DOCUMENT NO. SD-46553-001	SHEET NO. 2 OF 3
2 PLACES	± 0.15	± ---	MATERIAL NO. SEE CHART				
1 PLACE	± 0.25	± ---	ANGULAR ±1/2°				
DRAFT WHERE APPLICABLE MUST REMAIN WITHIN DIMENSIONS			SIZE B		THIS DRAWING CONTAINS INFORMATION THAT IS PROPRIETARY TO MOLEX INCORPORATED AND SHOULD NOT BE USED WITHOUT WRITTEN PERMISSION		

	10	9	8	7	6	5	4	3	2
F	MATERIAL NUMBER	STACK HEIGHT	TOTAL COLUMNS	LOADED COLUMNS	AVAILABLE NO OF CKTS	VOIDED COLUMNS	SOLDER MATERIAL	PK-45802-001	STYLE: MM/COLUMNS
	46553-1200	18mm	11	1,2,4,5,8,9,10,11	104	3,6,7	TIN	18mm / 11 COLUMNS	
	46553-1000	18mm	11	1,2,4,5,8,9,10,11	104	3,6,7	TIN / LEAD	18mm / 11 COLUMNS	
	46553-2200	10mm	07	1,2,4,5,7	65	3,6	TIN	10mm / 7 COLUMNS	
E									
D									
C									
B									



COLUMNS  
(11 COLUMN PART SHOWN)

SEE SHEET 1  
 EC NO: UCP2009-2695  
 DRWNR: RHODGE 2009/05/14  
 CHKD: 2009/05/15  
 APPR: JCOMERCI 2009/05/15  
 REV DESCRIPTION

GENERAL TOLERANCES (UNLESS SPECIFIED)

	mm	INCH
4 PLACES	± ---	± ---
3 PLACES	± 0.10	± ---
2 PLACES	± 0.15	± ---
1 PLACE	± 0.25	± ---

ANGULAR ±1/2°

DRAFT WHERE APPLICABLE MUST REMAIN WITHIN DIMENSIONS

DIMENSION STYLE  
**MM ONLY**

DRAWN BY	DATE
RHODGE	2007/05/31
CHECKED BY	DATE
RHODGE	2007/11/13
APPROVED BY	DATE
JCOMERCI	2007/11/14

MATERIAL NO.

SCALE  
1:1

DESIGN UNITS  
**METRIC**

THIRD ANGLE PROJECTION

**molex**

DOCUMENT NO.

**HIGH DENSITY MEZZININE RECEPTACLE ASSEMBLY SELECTIVELY LOADED**

**MOLEX INCORPORATED**

SD-46553-001

SHEET NO.  
3 OF 3

SEE CHART

THIS DRAWING CONTAINS INFORMATION THAT IS PROPRIETARY TO MOLEX INCORPORATED AND SHOULD NOT BE USED WITHOUT WRITTEN PERMISSION